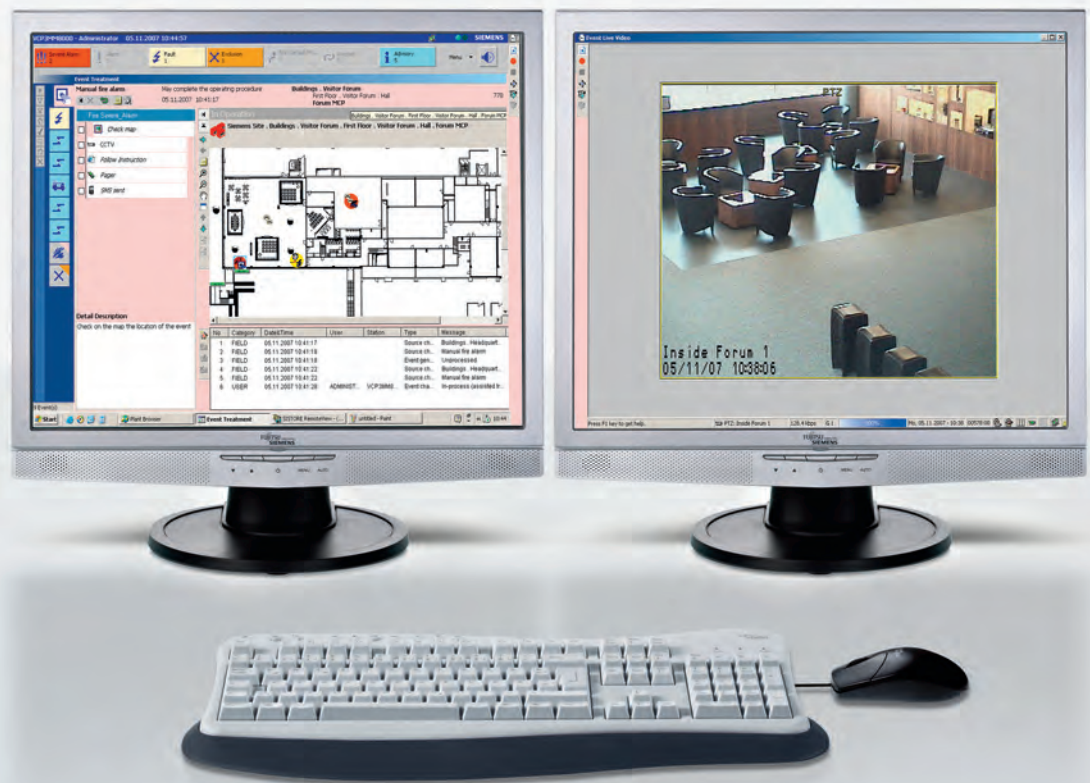




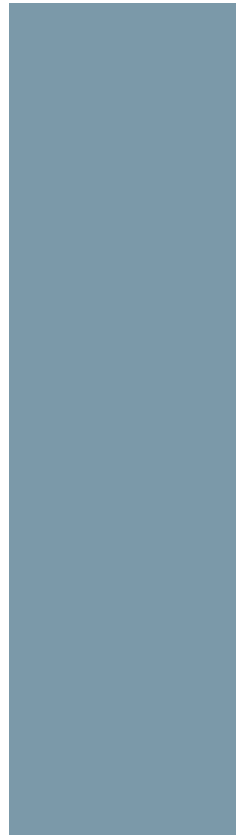
MM8000 – highest security and safety with intelligent danger management

A scalable and flexible management station for any requirement



Answers for infrastructure.

SIEMENS



Sophisticated technology for comprehensive safety

Safety and security are central features in both commercial and domestic life. The growing potential of danger to both people and assets makes the need for better protection increasingly relevant. This is why investments in security technologies have risen over the past several years. Yet the more diverse and complex the risks, the more important it is to have an intelligent management station that can manage all aspects of safety and security.



MM8000 – the ideal solution for danger management

■ Siemens – a synonym for quality

For over 160 years, the name Siemens has stood for innovation and technology leadership. The company strives to ensure both consistent high quality and environmental compatibility. More than 125,000 installed systems worldwide in fire safety, intrusion detection, access control, video surveillance, and danger management in different industrial sectors and countries are proof of the high standard of quality Siemens is known for.

■ Highest possible level of safety from one source

The MM8000 Danger Management Station offers a one-source management application to secure the safety of people and facilities. A powerful station, it enables centralized alarm management and supervision of a wide range of fire safety, electronic security, and control systems. And no matter how many subsystems are connected, MM8000 displays them all in a uniform, clearly structured manner. This allows users to easily and safely operate the system even under stressful conditions. What's more, with Siemens you receive everything you need for a comprehensive safety system from one source – including all subsystems.

■ Efficient configuration and easy operation

With its user-friendly engineering tool, the MM8000 Danger Management Station can be configured quickly and easily. The powerful graphics engine supports existing AutoCAD files and thus offers the operator a comprehensive system overview: Icons placed on graphics display the current state of the equipment. Alarms and messages are clearly listed according to security-relevant priorities, so operators have all relevant information at a glance. In case of an event, MM8000 guides the user step by step through predefined procedures.

■ Secure investment in future-proof technology

MM8000 is a very flexible and scalable management station with an open architecture. Should requirements or the building structure change, it can be quickly and easily adapted and modified: supporting single and multiple operator work stations, the installation can be expanded at any time. Regular updates assure that the station stays on the cutting edge of technology. MM8000 is a future-oriented safety product and ensures long-term investment protection.

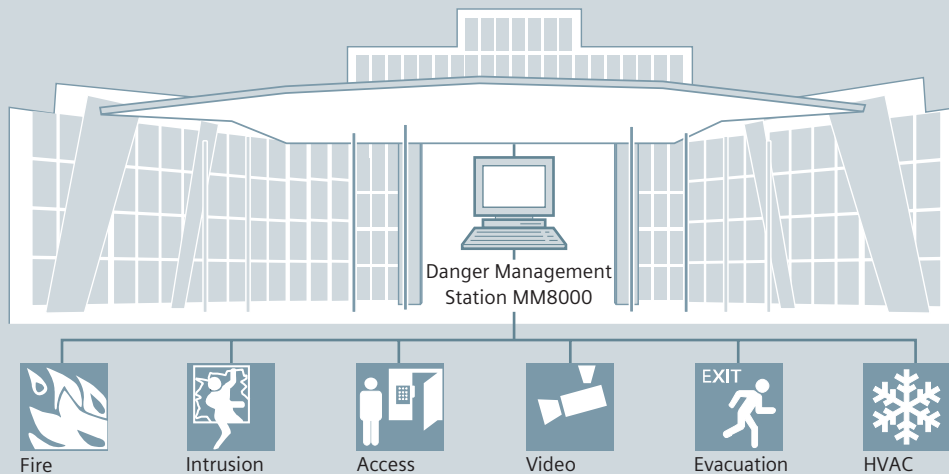
■ Simple usage for high efficiency

By centralizing safety and security management functions, MM8000 allows daily operations to be executed efficiently. And the user interface is intuitive, reducing training costs to a minimum. Moreover, MM8000 allows not only the integration of Siemens fire safety, electronic security, and building automation systems, but also of third-party solutions via standard interfaces.

Highlights

- Sophisticated management station backed by decades of expertise
- Centralized alarm management and supervision
- Outstanding guidance capabilities during event treatment
- High configuration flexibility to support the required safety and security strategy
- Open architecture and scalability from small to large systems
- Future-proof and secure investment should requirements change





Multiple disciplines can be centrally monitored with MM8000.

A specialist for versatile disciplines

MM8000 is an integrated danger management station, designed to manage a wide range of different subsystems that contribute to the protection of a building and its tenants.

■ Easy integration of subsystems

The integration of multiple disciplines provides centralized supervision and alarm handling, and allows interactions between the disciplines to enhance overall safety and security. MM8000 easily integrates subsystems from Siemens or from third parties via standard interfaces such as OPC, BACnet™ or Modbus.

■ Fire safety

Fire protection is a very important issue for everyone responsible for buildings, assets, and people. Top-level fire safety solutions from Siemens, such as Sinteso™, detect fire and smoke as early and precisely as possible – and can be centrally controlled and operated with MM8000.

■ Intrusion detection

Early detection of robbery or attacks and immediate alerting are key factors for intrusion detection systems. Sophisticated intrusion detection solutions from Siemens cover the entire process from perimeter detection through hold-up contacts and alarms with one management station.

■ Access control

Innovative access control solutions from Siemens, such as SiPass®, help to closely control access to restricted areas at all times. Integration with MM8000 even allows operators to remotely lock and unlock doors, and to grant access to different areas with only one mouse click.

■ Video surveillance

Video surveillance systems from Siemens, such as SISTORE™, are increasingly used to provide visual verification both in and around buildings. From a central management station, security personnel can verify via video surveillance if there is a fire, smoke or an intruder before calling the emergency services.

■ Building automation installations

Building management solutions can be integrated into the MM8000 Danger Management Station as well. This provides alarm indication and management for heating, ventilation, and air-conditioning systems of a building from a central position.

Highlights

- Uniformed integration of a wide range of disciplines
- All security and safety needs are covered
- Interaction of subsystems for increased safety
- Integration of third-party systems



Comfortable navigation via graphical maps and object trees: with two clicks from the overview to the details.

Simple and safe operation under any conditions

In case of an emergency, it is of highest importance that security personnel react safely and calmly. MM8000 offers a clearly structured user interface and securely guides the user through stressful emergency situations.

■ Smooth configuration and easy operation

MM8000 can be quickly engineered and installed. Engineering costs can be reduced to a minimum because the powerful configuration tool provides the possibility to smoothly incorporate existing AutoCAD files. The user interface is intuitive and easy to learn and use – without extensive training. During operation, MM8000 behaves exactly according to the established procedures. In addition, operator access to system functions is strictly controlled.

■ Fast and precise navigation through individual zones

A “Plant Browser” tool provides a clear system overview and lets the user navigate through the individual zones of a facility. These can be displayed in a user-friendly hierarchical tree view or a graphical view. Thus, a building, floor, room or individual object can be quickly located and displayed on the screen.

■ A powerful graphic engine for a quick overview

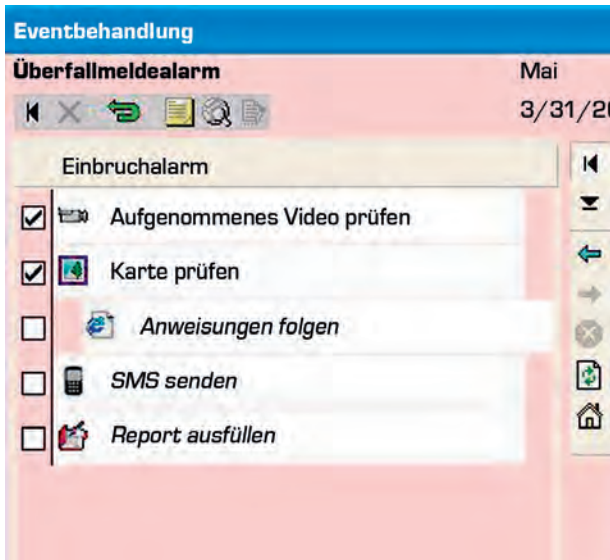
The powerful vector graphic engine of MM8000 supports AutoCAD drawings and provides navigation through the entire facility. It depicts clear graphics and includes a zoom function that lets users view a floor, room or even an object in detail. Icons show the current state of objects. Commands and information are available with only one mouse click. The display can be personalized and shows the view the operator prefers.

■ Homogeneous user interface for easy handling

The homogeneous user interface of MM8000 has been specifically designed for danger management. Alarms, messages, and the current status of all connected subsystems are displayed in a clear and uniform manner.

Highlights

- Intuitive user interface with clear navigation and user guidance
- Quick overview thanks to well-structured display
- Safe and secure handling to help calm reactions under stress conditions
- Integrated solution with homogeneous user interface
- Low training efforts



The operator selects the event he wants to treat. He is then automatically guided through a predefined procedure in a simple and intuitive way.

Correct action at the right moment for safe event handling

MM8000 guides and supports the operator during event handling. The events are listed according to security priorities, with the most critical event at the top of the list.

■ Event selection with one mouse click

When an event occurs, an event entry is added to the event list, the corresponding lamp is flashing, the accompanying counter is incremented, and an acoustic signal sounds. The event list presents the most important information simply and concisely. It is the starting point for the event handling procedure.

■ Following recommended procedures

To ensure that the security personnel respond correctly in a critical and stressful situation, the operator is safely guided step by step through predefined procedures via action texts, intervention plans, graphics, and other means. Only those options and command buttons that are relevant to the current event are visible. This allows the operator to concentrate on the main steps and to take the right measures – preventing the potential danger of wrong decisions.

■ Secure guidance through an event

Every building or business is different and may therefore require different actions. MM8000 impresses with its extraordinary flexibility: Individual steps can be freely defined and adapted to individual requirements. After selecting an event,

the whereabouts in the building are shown and the operator can quickly locate the source of the alarm. Video surveillance is switched on automatically for live images, recording or playback. An instruction page presents information on the necessary intervention steps. The fire department, police department or other organizations can be notified either manually or via an automatic dial-up connection.

■ Scheduler application for predefined functions

The scheduler helps the operator execute daily operations in an efficient way: Time-dependent actions can be defined and programmed. Multiple organization modes can be created as well to define how the system will behave during a certain period of time. New tasks can be created as needed, and already defined tasks can be modified at any time.

■ Keeping track of all events and actions

A history database automatically logs all events and intervention activities. Powerful reporting functions allow to obtain long-term information about the state of the system.

Highlights

- Events are automatically sorted by priorities
- Guided, safe operation through entire event
- Predefined intervention steps according to requirements
- Interaction between disciplines, e.g. fire safety and video surveillance
- Programmable automatic and manual system actions
- History database to reconstruct activities or obtain long-term information



With MM8000, office buildings can be monitored from one central point.

Ideal solution for a wide range of applications

Whether in public buildings or industrial plants – the safety of people and assets always has top priority. The MM8000 Danger Management Station is the ideal solution for a great number of different applications.

■ Protecting large premises with different requirements

High-tech industries such as car manufacturers or pharmaceutical companies provide high-quality products. They need various safety and security systems to guard their premises, as they have to ensure the safety of their employees and protect their valuable equipment – whether from internal or external disturbances. With one central management station, such as MM8000, all buildings can be monitored effectively – and critical incidents like burglary or a fire can be discovered and managed straight away.

■ Ensuring security for bustling places

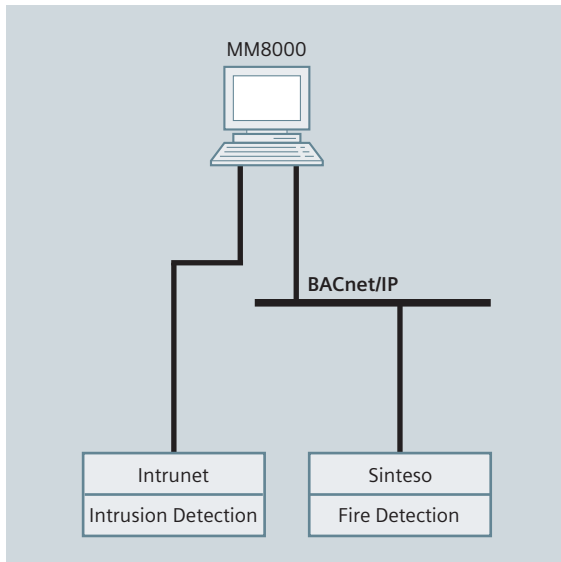
Modern public buildings such as banks or shopping malls are generally equipped with a multitude of safety and security systems. MM8000 can monitor these systems in large, tall buildings from one central location. In addition, structured plans from the entire site, single floors, and even from every room provide the operator with a complete overview of the building. In case of an emergency, the right steps e.g. for fast evacuation can be taken immediately. During the night, when the security personnel is off-duty, alarms are automatically dispatched by the danger management station to a manned intervention center.

■ Increasing safety for transportation companies

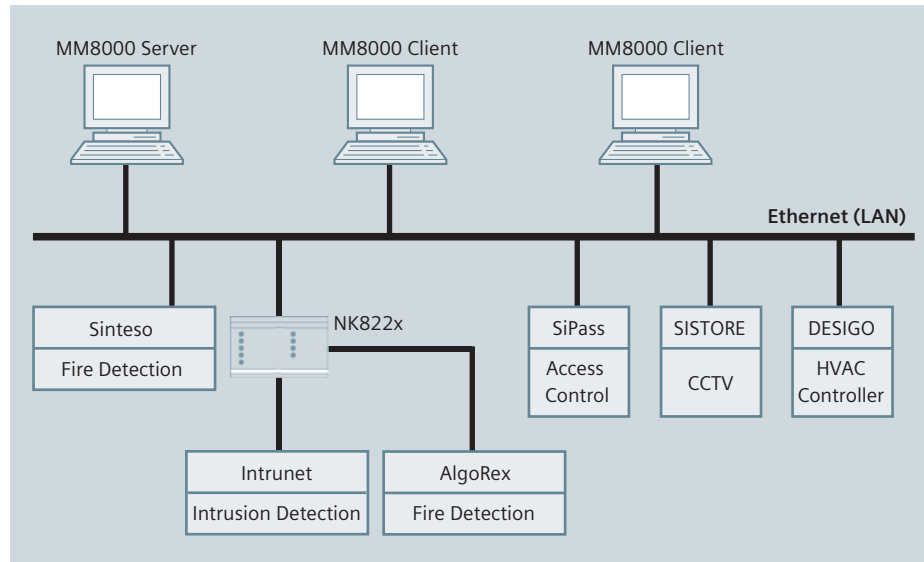
Accelerating urbanization and economic growth fuel a massive demand for adequate and reliable infrastructures – such as transportation and traffic management. High availability and security of airports, railway stations, metro stations, and tunnels have first priority. MM8000 ensures central monitoring and generates fast and correct interventions in case of emergencies.

Highlights

- Overall protection of industrial premises
- Highest security for public buildings
- Increased safety for transportation and traffic management



A local configuration for a small-sized application, e.g. a single building.



A LAN configuration for a medium-sized application, e.g. a campus.

Fully scalable and open for the future

The open architecture and scalability of the MM8000 management station allows complete integration of subsystems as well as the construction of small to large applications.

High flexibility and scalability for any network size

The open and modular architecture of MM8000 supports a large range of network configurations from small to very large. The solution for small-sized applications is a single workstation containing all software levels from client to server and communication. For medium-sized applications, a client/server architecture can be implemented: multiple operator workstations can be connected via Ethernet (LAN) to a central server.

A distributed client/server architecture is ideal for large applications with multiple operation responsibilities: A server station provides communication and background functions to one or more networked client workstations connected via WAN. Since the server coordinates all activities, many operators can seamlessly cooperate on the same site. What's more, the buildings do not even have to be geographically close, but can be located far apart – even in different cities. For increased reliability, network connections can be backed-up by modem connections.

Based on open standards

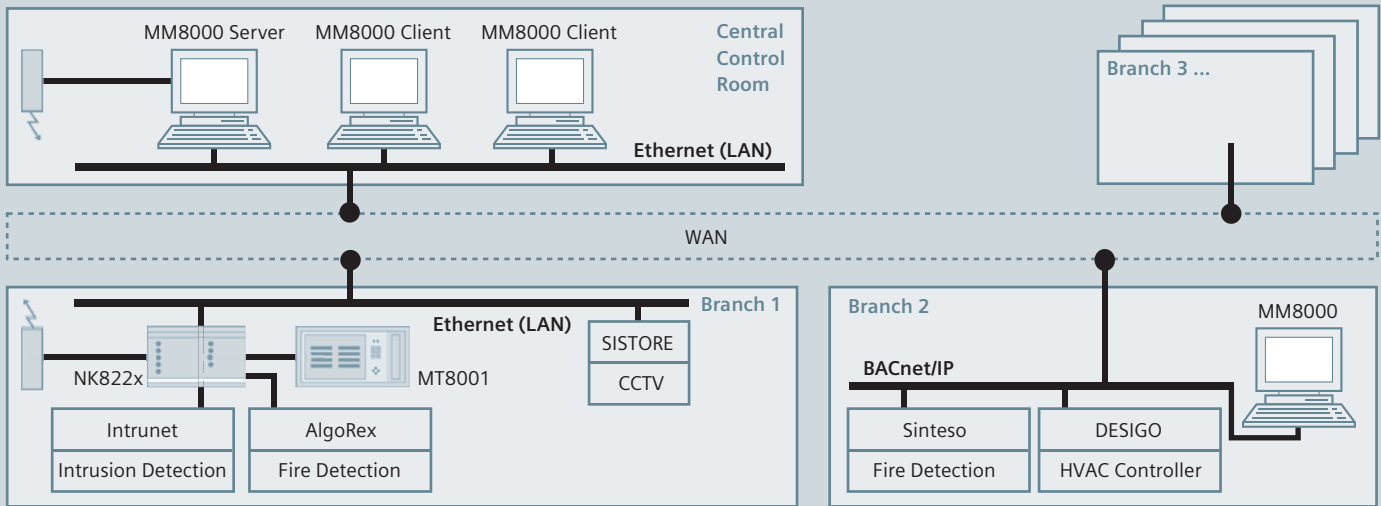
Whether hardware or software, the open architecture of MM8000 is based on the latest standards: standard PC hardware, Microsoft Windows Vista, MS-SQL server databases, OPC, BACnet, TCP/IP networks, and the AutoCAD drawing format. Because it is an open system, third-party subsystems can be integrated cost-efficiently via a generic OPC client. And as MM8000 has a built in OPC server, it can also be connected to third-party management stations.

Expandable to meet any requirement

The MM8000 Danger Management System can be easily expanded: additional management stations or subsystems can be added at any time necessary. Whenever needs or requirements change, MM8000 can be easily adapted and modified.

Highlights

- Ideal solution for small, middle or large applications
- Based on leading industry standards
- Easy expansion at any time



A WAN configuration for a large application, e.g. a company with branches in different cities.

Welcome to the world of innovative thinking

■ Innovation

Siemens invests a great deal in both manpower and research and development. This results in a steady stream of new insights, technologies and inventions that enable us to improve the reliability of our products, systems and solutions for the protection of people and assets.

Relying on the highest standard of automatic production processes contributes a great deal to the environment protection. Siemens is at the leading edge of progress in this field and continues to redefine both current and future technologies.

■ Reliability

With Siemens, you are in the very best of hands: Backed by a history of over a hundred years, Siemens is an established and reliable partner. System expansions, migrations and upgrades can be continuously made over a period of years, which ensures your investment for the future.

■ Safety

Innovative products, systems, intelligent solutions and value-added services from Siemens offer you complete fire protection – for everything that is valuable to you, no matter which type of building or how high the risks. Today, tomorrow and for decades to come. That's why countless customers around the world place their trust in Siemens.



Siemens Switzerland Ltd
Building Technologies Division
International Headquarters
Gubelstrasse 22
CH-6301 Zug
Tel +41 41 724 24 24
Fax +41 41 724 35 22

The information in this document contains general descriptions of technical options available, which do not always have to be present in individual cases. The required features should therefore be specified in each individual case at the time of closing the contract.

Windows is a registered trademark of Microsoft Corporation.

Subject to change • Order no. 0-92122-en •
© Siemens Switzerland Ltd • Printed in Switzerland • XXXXX